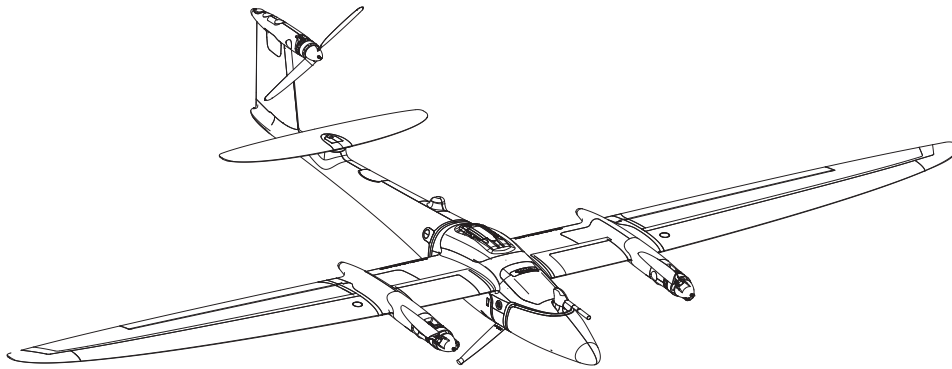


# TRINITY F90+

eVTOL. Fixed-wing. Mapping UAS.

Trinity F90+ is the mapping drone for professionals. It features an extended flight time of 90 minutes and easy to use mission planning software QBase 3D. The choice of integrated cameras is unrivaled - including RGB, Oblique, Multispectral and even LiDAR - making it the right tool for every mapping application.



## PACKAGE CONTENT

A **ready-to-fly Trinity F90+** always includes a GNSS module for GNSS raw data collection in flight, plus the following items:

- 1 iBase reference GNSS Base Station**  
Portable base station to enable high precision PPK processing.
- 2 USB ADS-B Receiver Set**  
Integrates Live-Air-Traffic-Info into QBase.
- 3 Air Data Probe**
- 4 QBase 3D Software - Ground Control Station**  
Mission Planning Software, including QBase Modem Longrange 2,4GHz and Cable.
- 5 Remote Control (RC)**  
Remote Control Transmitter including charging cable.
- 6 Battery Pack and Battery Charging Station**
- 7 Anti-collision Strobe and Position Lights**  
2 sets with 3 pieces each.
- 8 Anemometer**
- 9 Lightweight Transport Case**

## TECHNICAL DATA

<b>Max. Take-off Weight</b>	5.0 kg (11.0 lbs)
<b>Max. Flight Time</b>	90+ min <sup>1</sup>
<b>Max. Range = Area</b>	100 km = 700 ha
<b>Maximum flight altitude (MSL)</b>	4500 m <sup>2</sup> (14763.8 ft)
<b>Command and Control Range</b>	5 - 7.5 km (3.1 - 4.7 mi)
<b>Optimal Cruise Speed</b>	17 m/s (33 kn)
<b>Wind Tolerance (ground)</b>	up to 9 m/s <sup>3</sup> (17.5 kn)
<b>Wind Tolerance (cruise)</b>	12 m/s (23.3 kn)
<b>Operating temperature range</b>	-12 °C to 50 °C (10.4 °F to 122 °F)
<b>Wingspan</b>	2.394 m (7.85 ft)
<b>Transport Case Dimension</b>	1002 x 830 x 270 mm (39.4 x 32.7 x 10.6 inch)
<b>Transport Case Weight (3 batteries)</b>	22.3 kg (49.1 lbs)

<sup>1</sup> Subject to export regulation, may require export permission.

<sup>2</sup> Please be aware that the flight time and max. wind tolerance are reduced with increasing flight altitude. Depending on the weather conditions; tested at 15° C (59° F). For further details read the user manual chapter 3.1.

<sup>3</sup> Please be aware that the max. wind tolerance is reduced with increasing flight altitude.

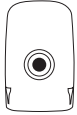
# CAMERAS



## Sony UMC

Art.: 4260574661571

Sony UMC-R10C 20.1 MP Sensor with 16 mm fixed focal length.



## Sony RX1R II

Art.: 4260574661588

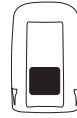
CMOS full format sensor and fixed focal length lens. 42.4 MP resolution.



## Oblique D2M

Art.: 4260574661595

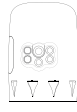
Captures five narrow spectral bands; Excl. DLS II and Calibrated Reflectance Panel (CRP).



## Qube 240 LiDAR

Art.: 4260574663049

With CloudStation Q240



## MicaSense RedEdge-P

Art.: 4260574664657

CRP & DLS2 not included.



## MicaSense Altum-PT

Art.: 4260574664664

CRP & DLS2 not included.

# SYSTEM SUPPLEMENTS



## ADS-B out Transponder (Option)

Art.: 4260574662059



## DLSII Kit (Plug & Play)

for enhanced light calibration

Art.: 4260574663094

Mandatory for MicaSense camera to achieve optimal results

## Trinity F90+ LiDAR/DLSII ready Refit Kit

Art.: 4260574663230

## Trinity F90+ DLSII Mount Kit

Art.: 4260574663278

## Remote ID Kit for Trinity F90+ Payloads

Art.: 4260574664640

# SOFTWARE

## Calibrated Reflectance Panel (CRP)

Art.: 4260574660758

Mandatory for MicaSense camera to achieve optimal results

## CloudStation Core

Art.: 4260574663322

special version for Qube 240 annual license (2nd and following years)

## CloudStation Core

(Perpetual License) Art.: 4260574663339

## CloudStation Strip Adjustment Module

(Annual License) Art.: 4260574663056

## CloudStation Strip Adjustment Module

(Perpetual License) Art.: 4260574663346

## CloudStation Terrain Module

(Annual License) Art.: 4260574663353

## CloudStation Terrain Module

(Perpetual License) Art.: 4260574663360

## Applanix POSPac UAV

(Annual Subscription) Art.: 4260574663063

## Applanix POSPac UAV

(Perpetual License, with one year maintenance)

Art.: 4260574663070

## Applanix POSPac UAV

(Software Maintenance 1-year subscription for software maintenance) Art.: 4260574663797

## CloudStation Upgrade

Perpetual license (at time of purchase of Qube240)

Art.: 4260574664701

## CloudStation Colorization from Orthophoto Module (Annual Subscription)

Art.: 4260574664992

SCAN QR CODE AND LEARN MORE

